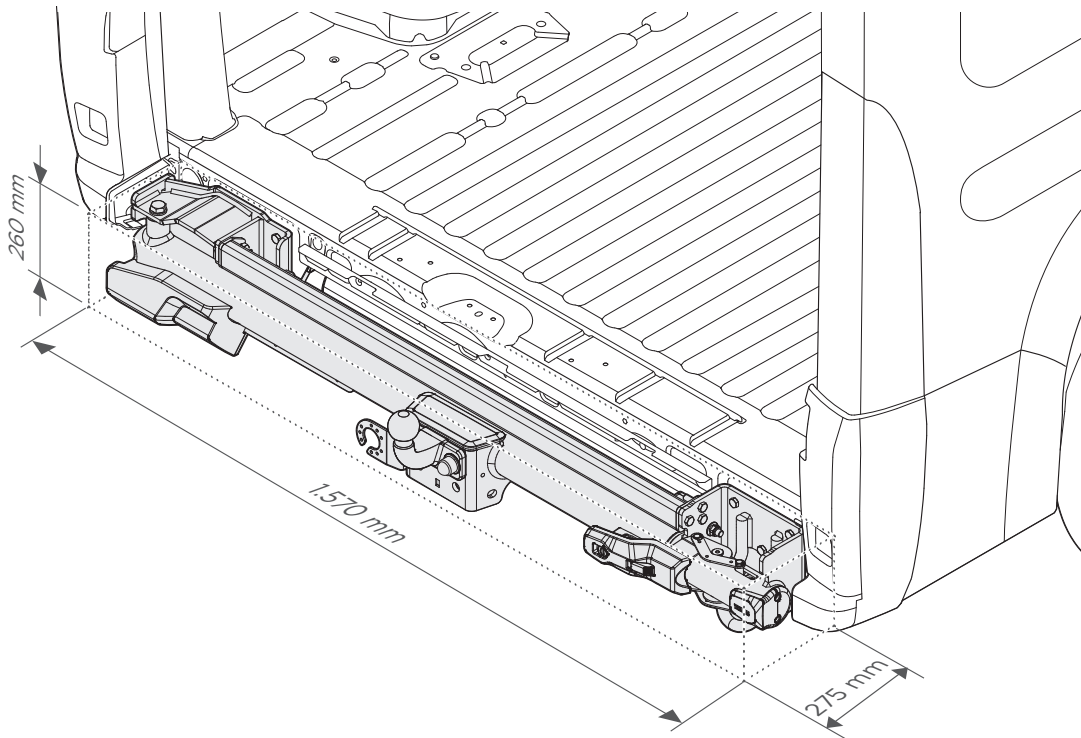


# Thule VeloSwing



Swingable Towbar



**INFO**

Dimensions (WxLxH)	157 x 26 x 27.5 cm 62 x 10.2 x 10.8 in
Weight	53 kg (additional net weight of 46 kg after installation) 117 lbs (additional net weight of 101 lbs after installation)
Max. tow capacity	3000 kg / 6614 lbs (depending on vehicle's towing capacity)
Max. vertical load	150 kg / 231 lbs (depending on vehicle's towing capacity)
Opening range	90°
Vehicle Compatibility	Fiat Ducato from 2007 onwards Peugeot Boxer from 2007 onwards Citroën Jumper from 2007 onwards Opel Movano from 2022 onwards Toyota Proace Max from 2024 onwards
Packaging (WxLxH)	31.5 x 137 x 27.5 cm 12.4 x 53.9 x 10.8 in



#### USPs

- Chassis-mounted carrier
- Full access to your rear door
- Load any towbar-mounted bike carrier or any towbar cargo box you want
- Tow heavy trailers, boats and more

#### SPECIFICATIONS

- Easily swings aside to provide access to the back of your van without the need to remove your bikes or other accessories
- Easy to operate with color indicator on the permanent safety lock that lets you know when you have successfully locked it in place
- You can use the same towbar bike rack or cargo box on your RV and your everyday car
- The Thule VeloSwing functions as a certified towbar, allowing you to tow trailers or other towbar accessories up to 3000 kg (depending on the vehicle's loading capacity)
- A pre-cut bumper (sold separately) ensures an integrated look with the rest of the van
- Developed especially for Fiat Ducato, Peugeot Boxer, Citroën Jumper from 2007 onwards and the Opel Movano from 2022 onwards
- Compatible with the keyless entry and go system on your vehicle after mounting the Thule VeloSwing Adapter Keyless Entry and Go System (302084)

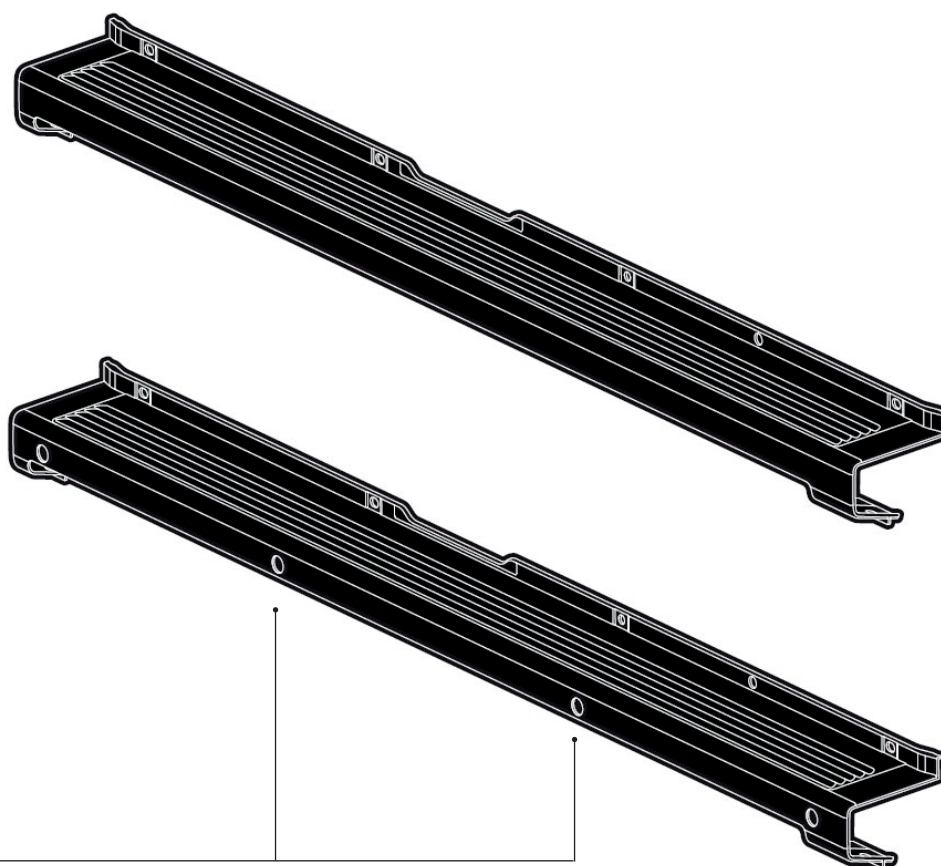
SKU N°		EAN N°
302064	Thule VeloSwing	5415182073349

# Thule VeloSwing Accessories



Swingable Towbar

## Thule VeloSwing Bumpers

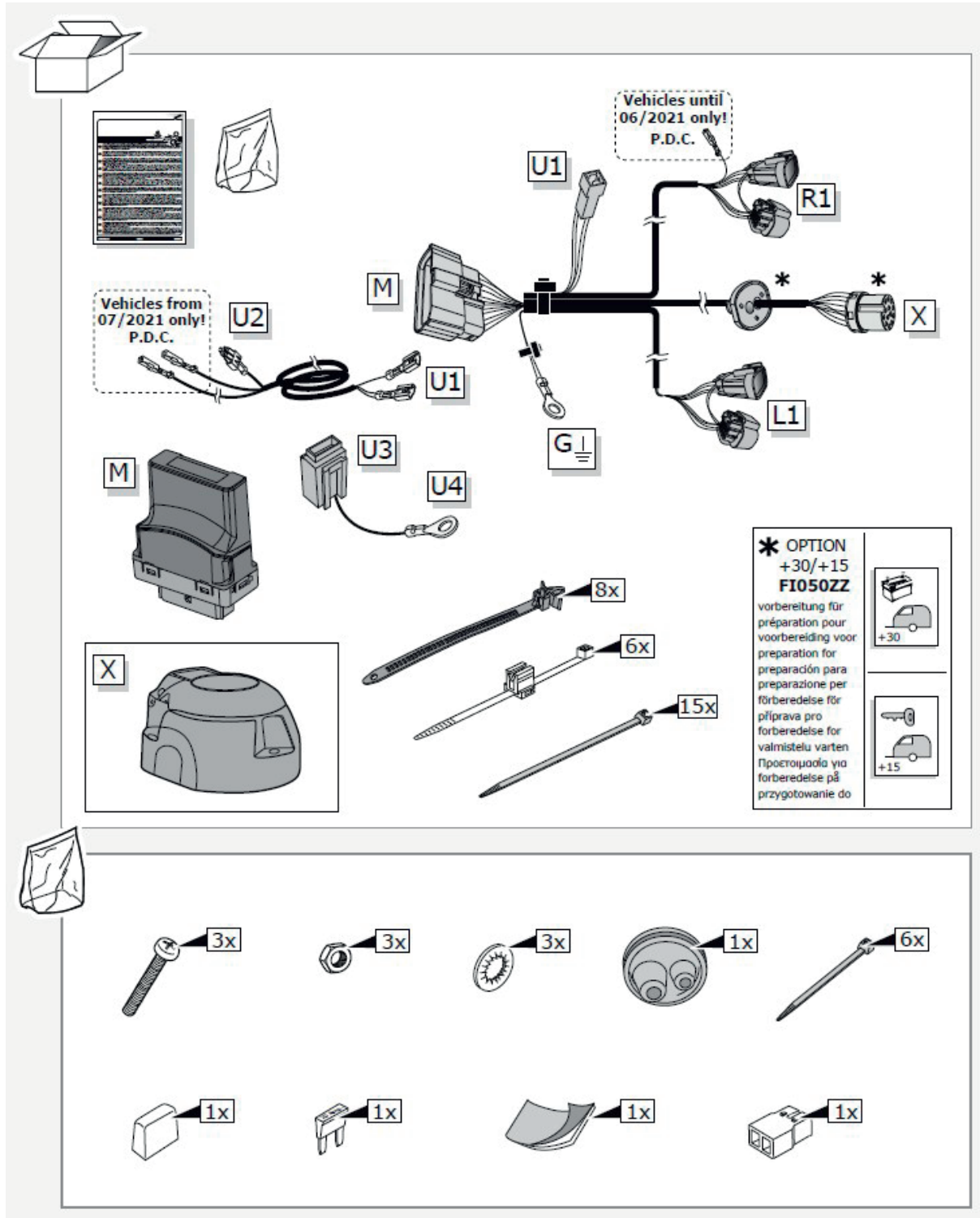


Parking sensors

SKU N°		EAN N°
302065	Thule VeloSwing Bumper	5415182073356
302066	Thule VeloSwing Bumper   Parking Sensors	5415182073363

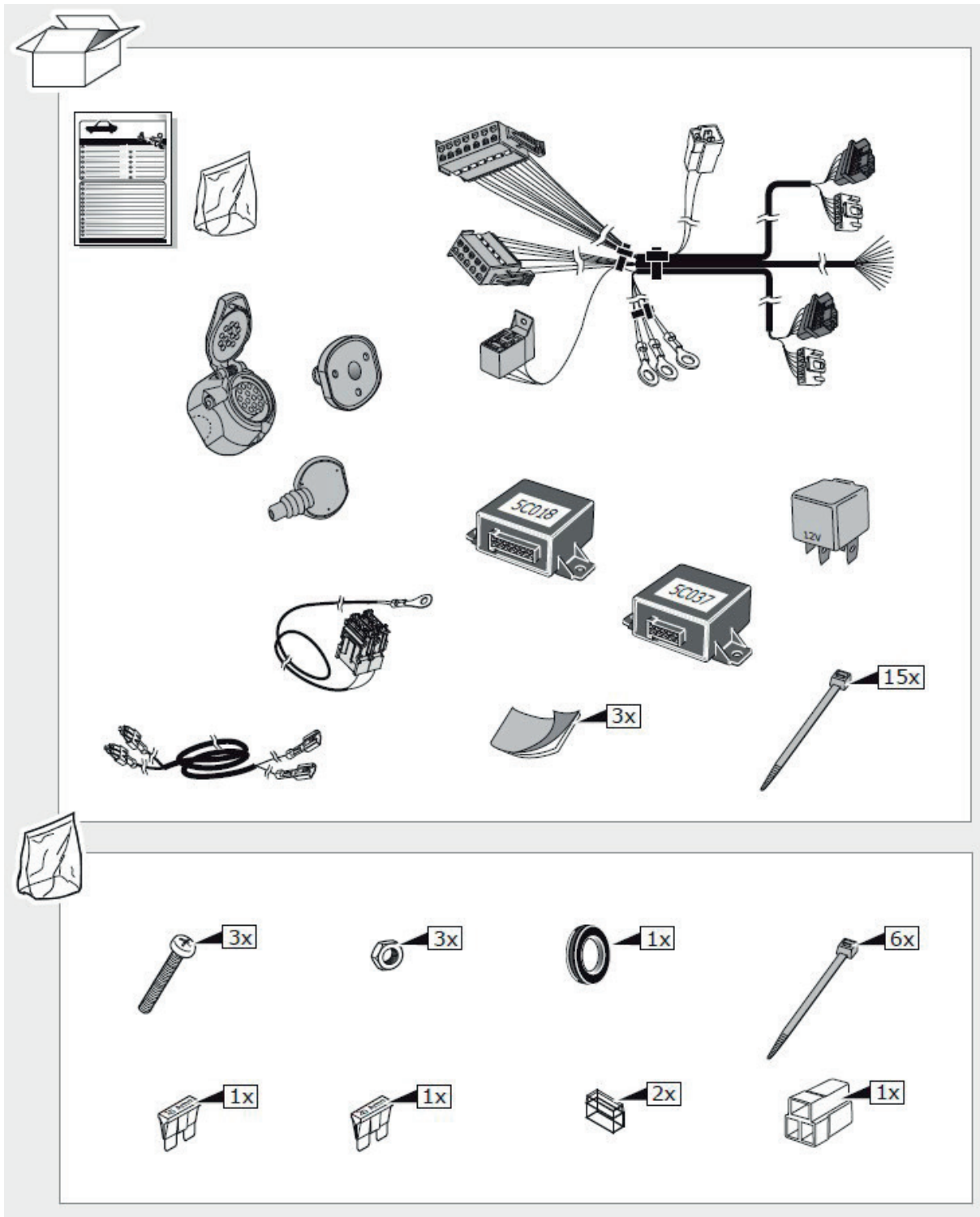
# Thule VeloSwing Wiring Kits

Thule Wiring Kit Stellantis > 2011



SKU N°		EAN N°
302075	Thule Wiring Kit Stellantis > 2011	5415182073912

Thule Wiring Kit Stellantis < 2011



SKU N°		EAN N°
302076	Thule Wiring Kit Stellantis < 2011	5415182073929

## Thule Extension Kit for Thule Wiring Kit Stellantis > 2011

### USPs

- Extends your standard wiring kit
- Deliver power to your caravan or other trailer
- Compatible with parking sensors

### SPECIFICATIONS

- The electric extension kit for tow bars with a 13-pin socket includes 4 wires and a Voltage Control Module (pin nos. 9, 10, 11 and 13). The VCM automatically switches the 13-pin trailer socket (pin 10) on at 13.5 V when the engine is running and off at 12.5 V when the engine is off, ensuring the vehicle can always be started.  
(The cut-off voltage depends on the condition of the vehicle battery and the power consumption of the trailer consumer load.)
- Compatible with the Thule Wiring Kit Stellantis > 2011 (item no. 302075) and parking sensors.
- The power connection is located at the front of the vehicle
- Switched feed (+15): trailer socket pin no. 10 will be active after installation of the extension kit
- Permanent feed (+30): trailer socket pin no. 9 will be active after installation of the extension kit

### INFO

Color	Black
Box Dimensions	294 x 223 x 128 mm
Product length when rolled out	10250 mm
Product weight (gross)	1,600 kg
Product weight (net)	1,400 kg
Vehicle compatibility	- All Fiat Ducato Van (and PSA equivalents) from 01/2011 until today, incl. the Ducato 8 Van as per 07/2021 - Opel Movano C Van as per 01/2022 - Toyota ProAce Max as per 09/2024 - LHD + RHD vehicles

SKU N°		EAN N°
302079	Thule Extension Kit for Thule Wiring Kit Stellantis > 2011	5415182075541

## Thule Wiring Kit Stellantis Trailer Pack

### USPs

- Designed for vehicles with trailer preparation (Fiat order code 4HB)
- Installed in 30-45 minutes (approx.)
- Coding-free installation using original vehicle connectors

### SPECIFICATIONS

- Thule Wiring Kit Stellantis Trailer Pack is a wiring kit that only fits vehicles with trailer preparation (for vehicles for which item 302075 doesn't work, Fiat order code 4HB)
- 13 pin socket pre-assembled with crimp terminals according to ISO11446
- Excludes rear fog light cut-off because of vehicle manufacturer / OE trailer module limitations
- With C2 indicator control shown via the vehicle's text display
- With original connectors
- Does not require coding
- PDC deactivation is supported by OE trailer module
- Switched feed (+15): Trailer socket pin n°. 10 will be active after installation
- Permanent feed (+30): Trailer socket pin n°. 9 will be active after installation
- Compatible with Trailer LED

### INFO

Color	Black
Box Dimensions	294 x 223 x 128 mm
Product length when rolled out	3350 mm
Product weight (gross)	1,215 kg
Product weight (net)	1,015 kg
Compatibility	The item fits pre-assembled cables (trailer packages Stellantis) where the Thule Wiring Kit Stellantis > 2011 (302075) cannot be used
Vehicle compatibility	It fits the following vehicles with trailer preparation <ul style="list-style-type: none"> <li>- all Fiat Ducato Van (and PSA equivalents) from 05/2014 until today</li> <li>- Opel Movano C Van as per 01/2022</li> <li>- Toyota ProAce Max as per 09/2024</li> <li>- LHD + RHD vehicles</li> </ul>

SKU N°		EAN N°
302080	Thule Wiring Kit Stellantis Trailer Pack	5415182077200

## Thule VeloSwing Adapter Keyless Entry and Go System

### USPs

- Reattach your keyless entry and go system after installing the Thule VeloSwing (302064)
- Great weather resistance
- Easy mount assembly

### SPECIFICATIONS

- Compatible with Thule VeloSwing (302064) mounted vehicles with keyless entry and go system
- With the steel brackets the keyless entry and go sensor is fixated securely on the Thule VeloSwing (302064) without interfering with its functionality
- The KTL and powder coat finish ensures great weather resistance
- Fast and easy installment

### INFO

Color	Black
Box Dimensions	300 x 180 x 100 mm
Pcs per box	5
Product weight (gross)	1,800 kg
Product weight (net)	1,600 kg (0,320 kg/pc)
Compatibility	Thule VeloSwing (302064) mounted vehicles with keyless entry and go system

SKU N°		EAN N°
302084	Thule VeloSwing Adapter Keyless Entry and Go System	5415182077378